

EMP 800 v6

electronic coin selector

extremely fast 40 MHz low voltage
micro processo

flash technology

32 channels

10 different interfaces

datasets for more than 95 currencies

cloning function

teach mode function
optional

remote programming

secured configuration optional

various sorter options

EMP 800.14 v6

with integrated USB
interface



EMP 800



EMP 890



EMP 850



EMP 820

EMP 800 v6, the industry standard 3,5" electronic coin selector

Due to its steadily increasing popularity, EMP 800 series coin selectors can now be found in a wide variety of applications from small office coffee machines, gaming and amusement machines, retail applications and internet terminals to sophisticated battery operated ticket machines for outside operation. Datasets for more than 95 different currencies are currently available.

A super fast, low voltage micro processor (3.3 volt) is the centre piece of the EMP 800 product generation v6. Enhanced features set new security standards and offer coin selector technology that meets the most stringent requirements.

PRODUCT INFORMATION

Reliability

Due to the faster processing speed a considerable higher efficiency of coin recognition rules can be achieved, thus enabling an even better coin separation. Each and every single coin selector is subject to stringent testing before leaving our factory. This corresponds to the highest demands we place on the quality of our products.

Security

Features such as coin-on-a-string and coin jam surveillance underline utmost security. Furthermore, specifically developed technology for bi-colour coins is included – a feature necessary for Euro coins.

Modular Design

An extensive range of options allows the customer to choose the configuration that best matches the requirements of the application. Ancillary products, such as sorters, displays, power supplies and frames, further compliment our range around the coin selector.

PROGRAMMING

Teach mode function - on site - no additional equipment

Additional coins and tokens may be programmed without the need for supplementary equipment. A self diagnostic function ensures optimum results.

Cloning function - programming without coins

Using the cloning function, data sets received via the Internet from wh Münzprüfer may be safely transferred directly to any number of coin selectors (from the same series) in your inventory, in the safe knowledge that quality of coin discrimination is maintained throughout. **Calibration and test functions - programming new coins**

New coins may be calibrated using wheasy 4 software and the inbuilt test functions enable you to thoroughly test the overall operation of the coin selector before use.

Firmware Update

Using the function "firmware update" (flash technology) a new microprocessor software may be transferred into the coin selector. **Remote Programming**

By means of the function "remote programming" the coin selector can be updated via the ccTalk or MDB interface with a new data set. For the factory site set up of this feature a written agreement is required.

PROGRAMMING ACCESSORIES

wheasy 4 (Windows™ software)

wheasy 4 is a user friendly software for testing and programming our electronic coin selectors from version v6 onwards. The software allows the user to change settings, to program new or additional coins or tokens and to test the hardware of the selectors.

whpocket 4 (for Windows Mobile™)

whpocket 4 is the solution for programming on site. A mobile device loaded with this self-explanatory software enables simple and efficient coin or currency reprogramming.

TECHNICAL DATA

coin acceptance
maximum coin sizes
coin blocking
standard temperature range
humidity classification
body dimensions
supply voltage
supply current

STANDARD FEATURES

32 active channels, up to 16 different coins or tokens
diameter: 32.5 mm thickness: 3.4 mm
16 DIP switches for blocking individual or groups of coins
+10°C to +70°C
according to DIN 40040: F
height x width x depth: 104 x 53 x 93.5 mm (excluding front plate)
10 to 26 volts DC
< 30 mA (during coin acceptance briefly 300 mA at 12 volts),
in battery operation mode the coin selector does not need supply current in standby

OPTIONS

/B	battery operation (standard)
/C	battery operation with inductive sensor
/E	extended humidity and temperature range -20°C to +70°C, humidity classification: E/D
/F	large coin funnel
/I	inventory impulse
/N	coin output signals inverted
/O	individual coin blocking via parallel output lines
/P	no coin reject signal
/R	additional light barrier to observe money return shaft
/S	preceding coin output signal
/T	teach mode (2 coin channels activated)
/X	control for external sorting flaps
/Z	additional sensor for strimming detection

model	EMP 8x0.00 v6	EMP 8x0.01 v6	EMP 8x0.02 v6	EMP 8x0.04 v6	EMP 8x0.05 v6	EMP 8x0.06 v6	EMP 8x0.07 v6	EMP 8x0.13 v6	EMP 8x0.14 v6
output signal	6 parallel outputs	2 price totaliser parallel	video totaliser parallel	binary coded outputs	1 price totaliser for kiddie rides parallel	1 price totaliser parallel	timer parallel	serial ccTalk and MDB protocol	USB-interface, ccTalk protocol
front plate versions									
standard F 800	800.00	800.01	800.02	800.04	800.05	800.06	800.07	800.13	800.14
mini F 890	890.00	890.01	890.02	890.04	890.05	890.06	890.07	890.13	890.14
metal F 801	850.00	850.01	850.02	850.04	850.05	850.06	850.07	850.13	850.14
chassis assembly									
rejects down/front	820.00	820.01	820.02	820.04	820.05	820.06	820.07	820.13	820.14
rejects down/rear	830.00	830.01	830.02	830.04	830.05	830.06	830.07	830.13	830.14
rejects laterally	840.00	840.01	840.02	840.04	840.05	840.06	840.07	840.13	840.14
		sales counter multiple vending				sales counter multiple vending			
available options	B, C, E, I, N, O, R, S, T, X, Z	B, C, E, I, N, R, T, X, Z	B, C, E, I, N, R, T, X, Z	B, C, E, I, N, R, S, T, X, Z	B, C, E, I, T, X, Z	B, C, E, I, N, R, T, X, Z	B, C, E, I, N, R, T, X, Z	B, C, E, R, T, X, Z	E, R, T, X, Z

EXAMPLE

EMP 800.00 v6/B/E

coin selector with standard front plate, 6 parallel output lines, battery operation, extended temperature and humidity range.

Distributed by
Hemisphere West Europe Ltd
Ty Bryneirin
Sarnau,
Llandysul
Ceredigion
SA44 6QR
UK

Tel: +44 (0) 1239 654157
Fax: +44 (0) 1239 654742
e-mail: sales@hwieurope.com
Web: www.hwiglobal.com

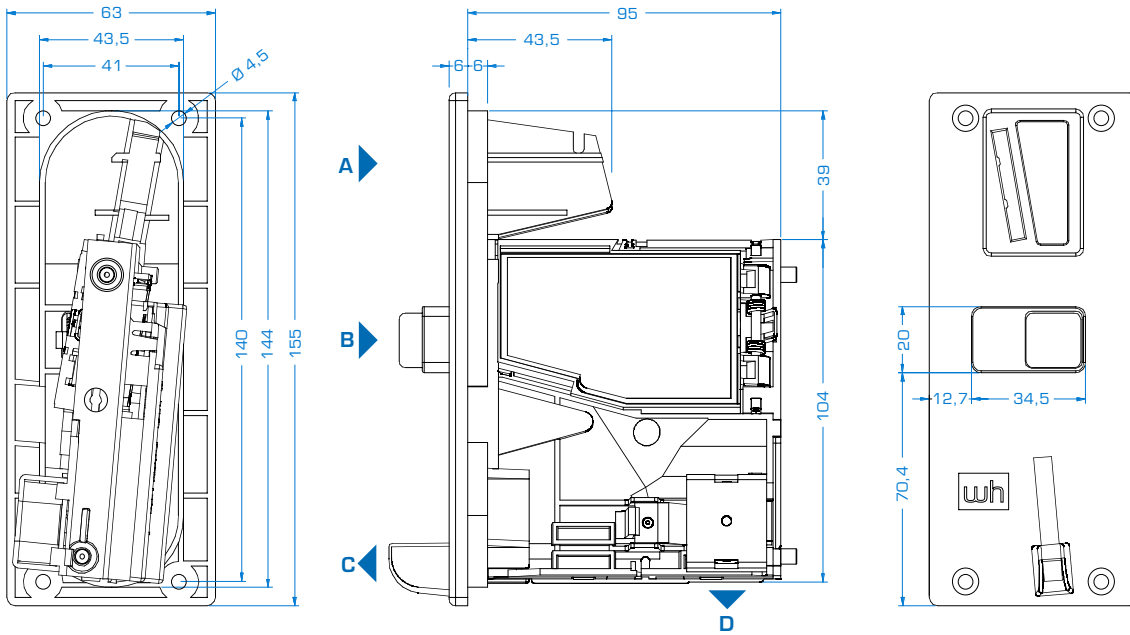
DIMENSIONS

EMP 800.xx with standard front plate F 800

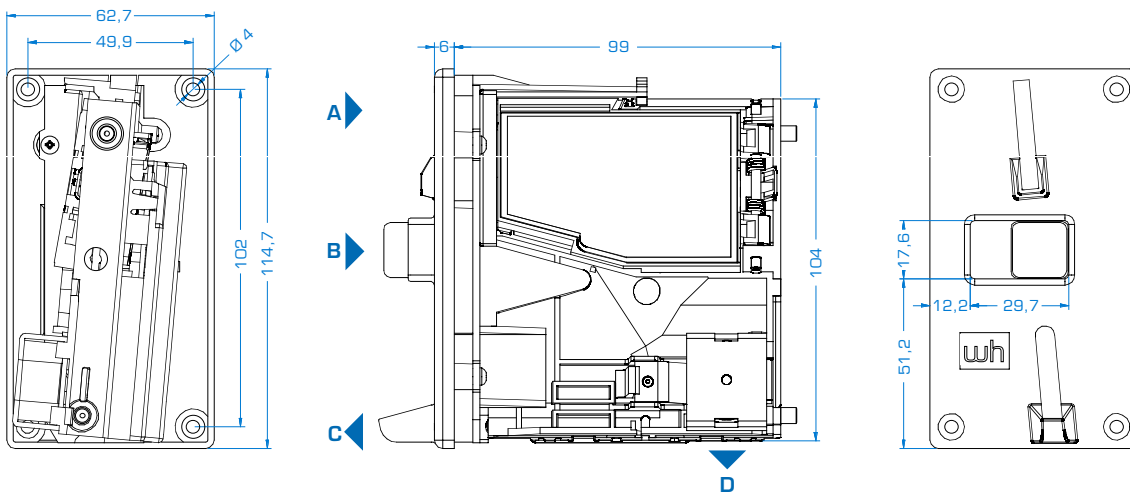
A coin insert
B: coin reject button

C: coin reject
D: coin acceptance

Options: front plates in different colours

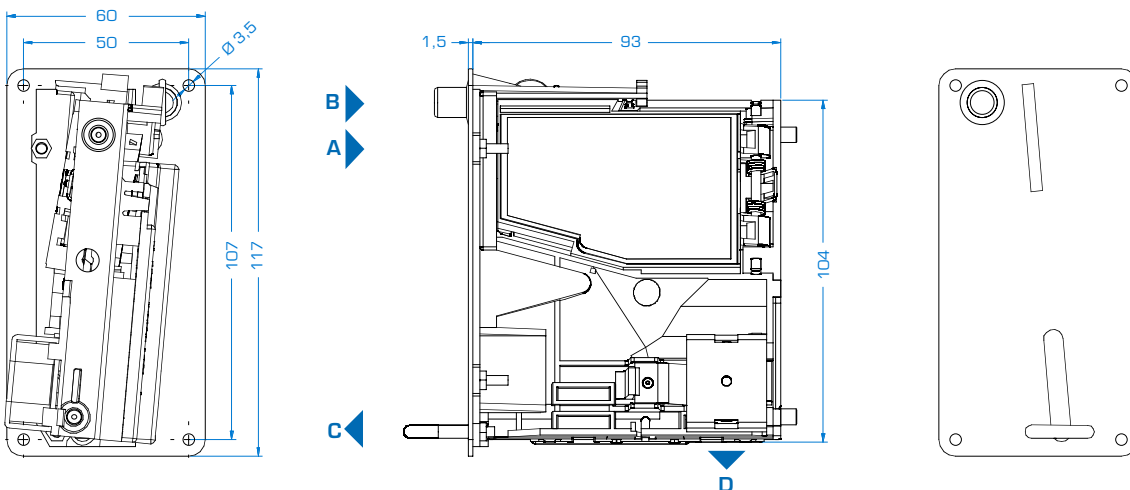


EMP 890.xx with mini front plate F 890



EMP 850.xx with stainless steel front plate F 801 117 x 60 mm

other front plates F 802: 129 x 52 mm F 803: 150 x 50 mm F 804: 117 x 86.5 mm

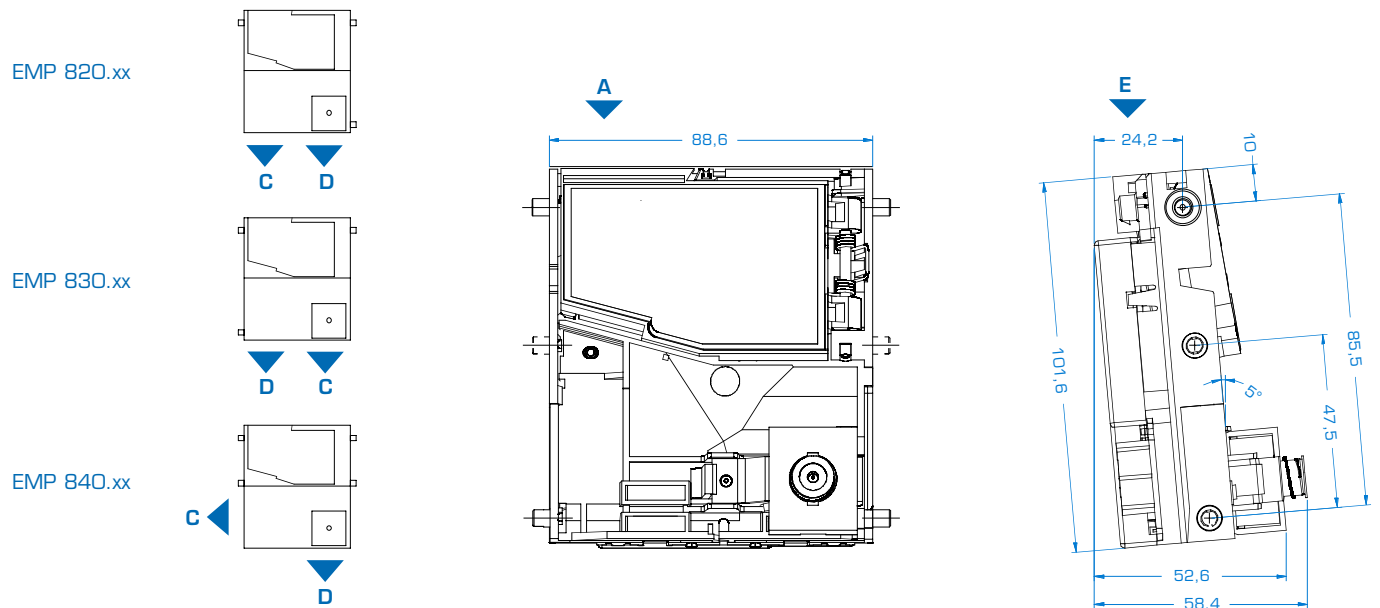


DIMENSIONS

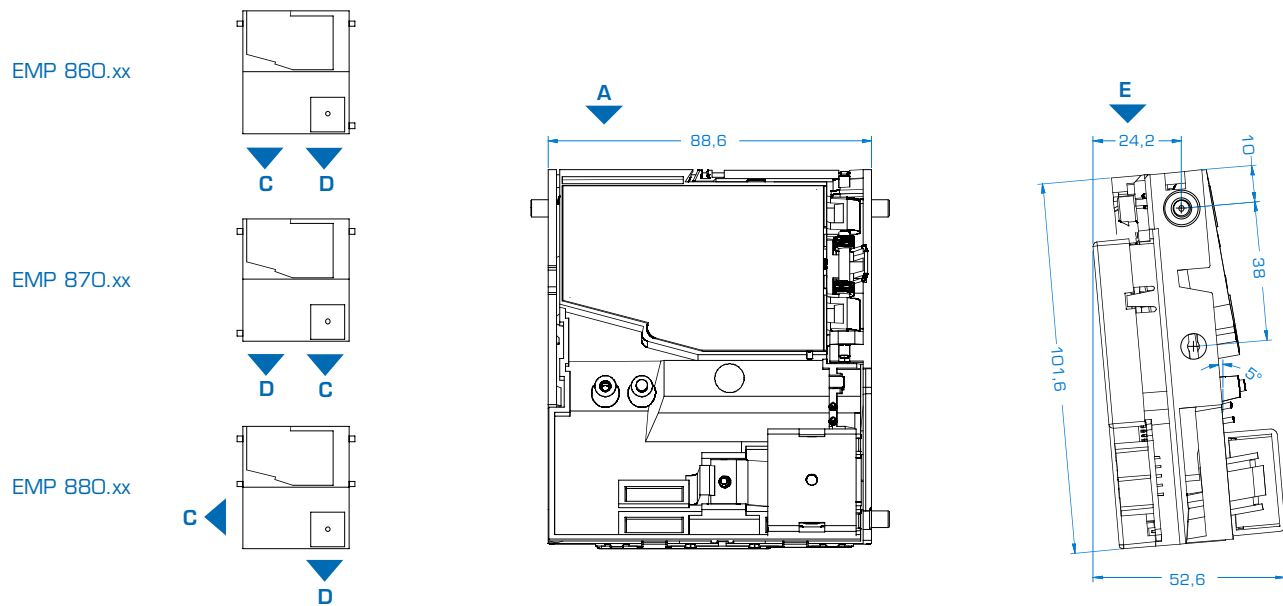
EMP 8x0.xx for frame assembly

A: Münzeinwurf / coin insert
C: Münzurückgabe / coin reject

D: Münzannahme / coin acceptance
E: Rückgabebetätigung von oben / reject lever on top



EMP 8x0.xx für Rahmenmontage, Ausführung mit totaler Öffnung (Klappe und Weichenplatte öffnen sich)
EMP 8x0.xx for frame assembly, version incorporating full access opening



STECKER UND DIP-SCHALTER / CONNECTORS AND DIP-SWITCHES

